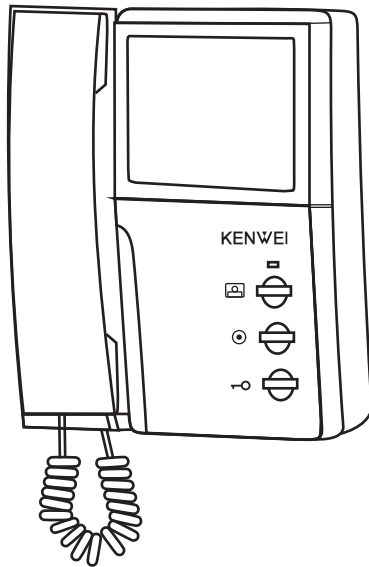


KENWEI

Top Way Technology

Video Door Phone Monitor

- KW-4HPM/C
- KW-4HPTN/C



Manufactured by
ISO-9001
Certified Factories

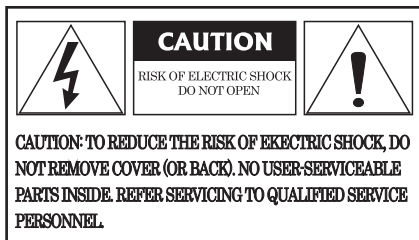
Top Way Communication Technology Co.,LTD.
[Http://www.kenwei.com](http://www.kenwei.com)

Introduction

The model number is located on the bottom and record the serial number in the space provided below. Refer to these numbers whenever you call upon your KENWEI dealer regarding this product.

Model No. _____ Serial No. _____

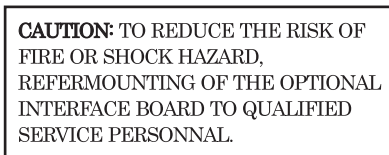
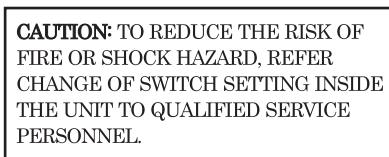
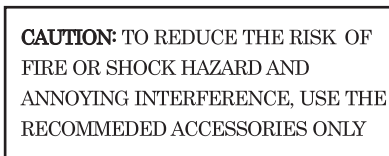
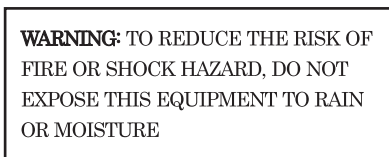
To prevent fire or shock hazard, do not expose the unit to rain or moisture.



The symbol is intended to alert the user to the presence of uninsulated “**dangerous voltage**” with the product's enclosure that may be of sufficient magnitude to constitute a risk of electric shock to persons.



The symbol is intended to alert the user to the presence of important operating and maintenance (servicing) instructions in the literature accompanying the appliance.



Important Safeguards

- 1. Read Instructions** - All safety and operating instructions should be read before the unit is operated.
- 2. Retain Instruction** - The safety and operating instruction should be retained for future reference.
- 3. Heed Warnings** - All warnings on the equipment and in the operating instructions should be adhered to.
- 4. Follow Instruction** - All operating and use instructions should be followed.
- 5. Ventilation** - Slots and openings in the cabinet are provided for ventilation and to protect it from overheating.
- 6. Power Source** - This equipment should be operated only from the type of power source indicated on the marking label.
- 7. Grounding** - This product is equipped with a polarized alternating-current line plug. This plug will fit into the power outlet only one way. This is a safety feature.
- 8. Power Cord Protection** - Power supply cord should be routed so that they are not likely to be walked on or pinched by items placed upon or against them; pay particular attention to cords at plugs, convenience receptacles and the point where cords exit from the equipment.
- 9. Overloading** - Do not overload power outlets and extension cords as this can result in a risk of fire or electric shock.
- 10. Damage Requiring Service** - Unplug this equipment from the power source and refer servicing to qualified service personnel under the following conditions:
 - a. when the power supply cord or plug is damaged;
 - b. if liquid has been spilled or object have fallen into the unit;
 - c. if the equipment has been exposed to rain or water;
 - d. if the equipment has been dropped or otherwise damaged;
 - e. when the equipment exhibits a distinct change in performance this indicates a need for service
- 11. Water and Moisture** - Do not use this product near water, for example, near a bath tub, wash bowl, kitchen sink, or laundry tub, in a wet basement, or near a swimming pool, and the like.
- 12. Accessories** - Do not place this product on an unstable cart, stand, tripod, bracket, or table. The product may fall, causing serious injury to a child or adult, and serious damage to the appliance.

Note: Do not place this product directly on wood or simulated woods surfaces as these surfaces are easily damaged.
- 13. Object and Liquid Entry** - Never push objects of any kind into this product through openings as they may touch dangerous voltage points or short-out parts that could result in a fire or electric shock. Never spill liquid of any kind on the product.

Important Safeguards

14. **Servicing** - Do not attempt to service this product yourself as opening or removing covers may expose you to dangerous voltage or other hazards. Refer all servicing to qualified service personnel.

15. **Replacement Parts** - When replacement parts are required, be sure the service technician has used replacement parts specified by the manufacturer or having the same characteristics as the original part.

16. **Safety Check** - Upon completion of service or repairs to this product, ask the service technician to perform safety checks to determine that the product is in proper operating condition.

17. **Power Line** - The system should not be located near overhead power lines or other electric light or power circuits, or where it can fall into power lines or circuits.

18. **Attachment** - Do not use attachments not recommended by the product manufacturer as they may cause hazards.

19. **Outdoor Cable Protection** - All outdoor connections should be protected from moisture. Internal heating can draw moisture or condensation into the covering of the unit and affect its operation.

20. **Lighting** - For added protection for this product before a lightning storm, or when it is left unattached and unused for long periods of time, unplug it from the wall outlet and disconnect the antenna or cable system. This will prevent damage to the product due to lightning and power-line surges. Be sure it is properly grounded, as defined above. If you live in an area heavily prone to lightning storms, it is recommended that you invest in power-line, telephone-line, RF cable and Actuator / Polarization surge protectors to protect your system from possible damage.

Note to system installer: This reminder is provided to call the system installer's attention that provides guidelines for proper grounding and, in particular, specifies that the cable ground shall be connected to the grounding system of the building, as close to the point of cable entry as practical.

21. **Protective Attachment Plug** - The product is equipped with an attachment plug having overload protection. This is a safety feature. See Instruction Manual for replacement or resetting of protective device. If replacement of the plug is required, be sure the service technician has used a replacement plug specified by the manufacturer that has the same overload protection as the original plug.

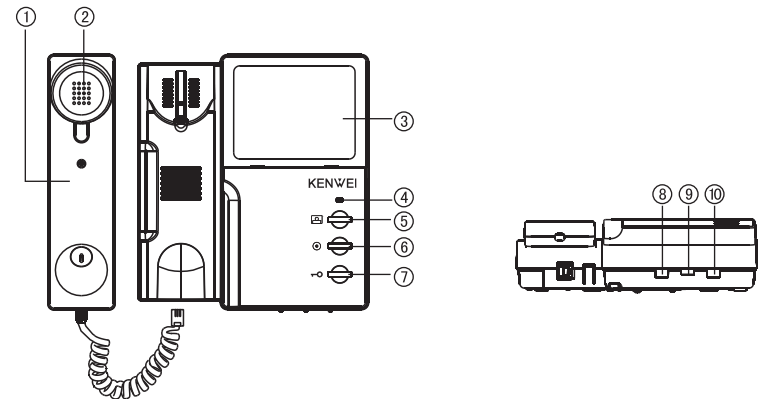
INTRODUCTION

Congratulations on the purchase of your new video security intercom system! Please read these introductions carefully before installing your system and follow all of the directions to ensure proper installation. This instruction manual explains in simple steps how to install, use, and care for your new security system in homes, offices or businesses.

Serial Number (From Rear Panel)

Date of Purchase

KW-4HPM/C、KW-4HPTN/C FEATURES AND PARTS



1. Handset

Used for two-way communication with the visitor.

2. Speaker

Sounds a "chime" tone when visitor pushes the camera "call" button.

3. CRT Screen (4" B&W CRT)

Displays image of a visitor or the camera viewing area.

4. Power LED

Illuminates when power S/W is in "ON" position.

5. Monitor Button (📺)

Press to activate the outside camera and CRT screen to see camera viewing area.

6. Call Button (☎)

Press to call the second monitor or interphone.

7. Door Release Button (—O)

Used to unlock an electronic door locking system.

8. Volume Control /Power "ON/OFF" S/W

Used to adjust the chime sound level /Used to turn system power "On" and "Off".

9. Power "ON/OFF" /Color adjustable S/W

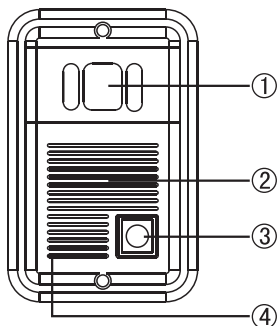
Used to turn system power "On" and "Off" /adjustable the color effect of the picture.

10. Brightness Control S/W

Used to adjust the brightness level of the CRT Screen.

* Remark: Behind the sign "I" is the function key explanation of the color indoor monitor.

(Option)KW-403F/C/S FEATURES AND PARTS

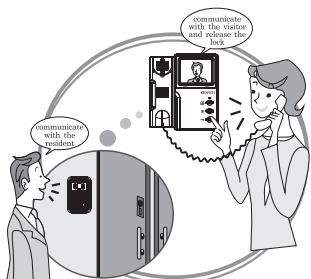
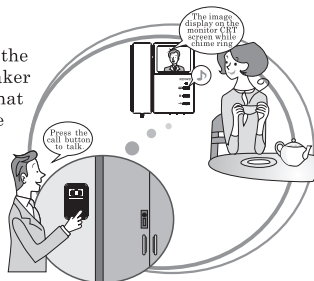


1. CCD Camera lens
2. Speaker
3. Call button
4. Microphone

OPERATION

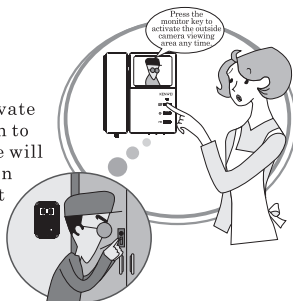
Turn power switch on, Use the slide switch for volume and brightness control.

1. The visitor presses the **"Call Button"** on the outside camera unit. The monitor's speaker will sound a "chime" tone to announce that a visitor is at the door. Upon viewing the monitor's CRT screen and the visitor's image, you can communicate with the visitor with the handset.



2. After speaking with the visitor, you can push the **"Door Release Button"** to electronically unlock the door.

3. Press the **"Monitor Button"** to activate the outside camera and CRT screen to see camera viewing area, the image will remain on the monitor's CRT screen for 90 seconds, or until the handset is replaced back into the cradle.



4. When need to call the outdoor station, press **"Call Button"** to communicate with it.
5. Use the **"ON/OFF S/W"** turn the indoor monitor "On" and "Off". (This unit use the switch power supply. Please cut the AC Pin if you don't use it for a long period.)
6. Use the **"Volume Control S/W"** to adjust the chime sound level.
7. Use the **"Brightness Control S/W"** to adjust the brightness level of the CRT screen.



The following two items 8 and 9 adapt to KW-4HPM/C, not to KW-4HPTN/C.

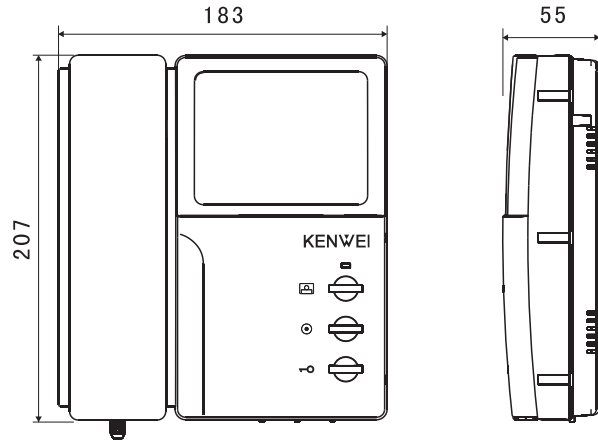
8. In the standby condition, press the **"Door Release Button"** into music choose mode, then choose music by pressing **"Monitor Button"**. And press **"Door Release Button"** again to quit the music choose mode.



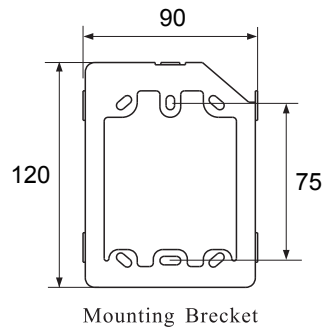
9. If someone calls, the indoor monitor is ringing, press **"Monitor Button"**, or **"Door Release Button"**, or **"Call Button"** to end the ring, but not connect with outdoor station. After press **"Door Release Button"** for 3 seconds, the doorphone go into standby case.

PRODUCTION MEASURE

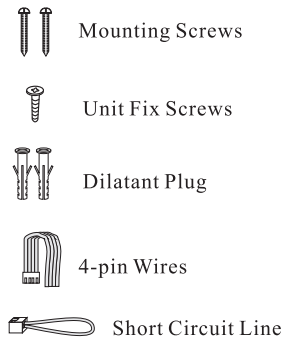
Production measure:



Parts checklist:

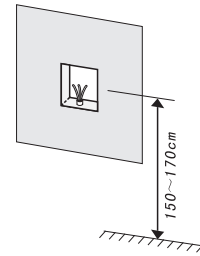


Mounting Bracket

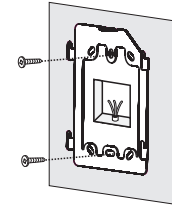


(Unit: mm)

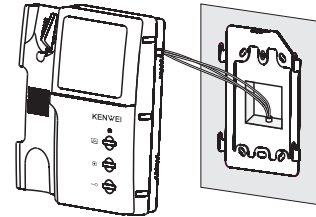
INSTALLATION SKETCH MAP



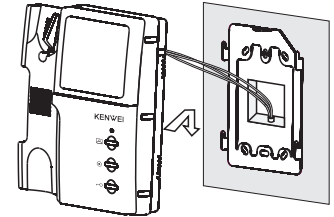
1. Drill a hole after determining the mounting location for the indoor unit (160~170cm above the ground).



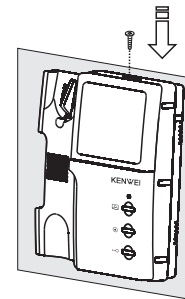
2. At the selected monitor mounting location, attached the mounting bracket securely to the wall. Drill a hole in the center area of the bracket just large enough for the electrical wiring to pull through the hole.



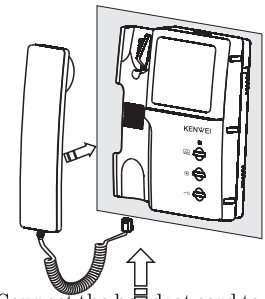
3. Connect the electrical wires from the camera unit to the monitor wiring terminal.



4. Attach the wired monitor unit to the wall mounting bracket by setting the monitor over the four bracket hooks and sliding it down.

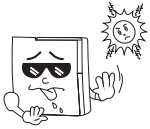


5. Insert the tiny machine screw into the hole in the tab at the top of the bracket to hold the monitor in place.



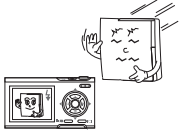
6. Connect the handset cord to the monitor unit and place the handset into the cradle to complete the installation.

NOTE ON USE AND INSTALLATION



1. Do Not Aim The unit At The Sun /Raining

Do not aim the unit at the sun or point it at the sun/raining even if you are not shooting



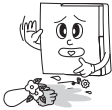
2. Do not shoot intense Light

Framing intense light such as a spotlight may cause bloom or smear. A vertical stripe may appear on the screen. However, this is not a malfunction.



3. Treat The Unit With Care

Please do not disassemble the unit if you are not the professional maintenance man. Because it will damage the unit, and it can not work normally. Prevent the high voltage hazard that maybe cause the electronic shock.



4. Never Touch Internal Parts

Do not touch the internal parts of the camera other than that parts specified. Otherwise, the camera other than parts specified. Otherwise, the camera may malfunction.



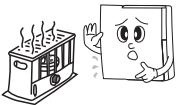
5. Do Not Slash Water On The Unit

Install the unit where the unit can be kept dry. If the unit gets wet, turn off the power and contact your dealer.



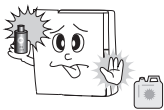
6. Install The Unit Where No Audio Noise Sound

If cables are wired near electric lightning wires or a TV set, noise may appear in images. In this event, relocate cables or reinstall equipment.



7. Check The Ambient Temperature And Humidity

Avoid using the camera where the temperature is hotter or colder than specified, Otherwise, the quality of images may deteriorate or internal parts may be affected. Special care is required to use the camera at high temperature and humidity.



8. Should You Notice Any Trouble

If any trouble occurs while you are using the camera, turn off the power and contact your dealer. If you continue to use the camera when there is something wrong with it, the trouble may much worse and an unpredictable accident may occur.

WIRING

Option 1: single camera / single monitor

Sketch map :

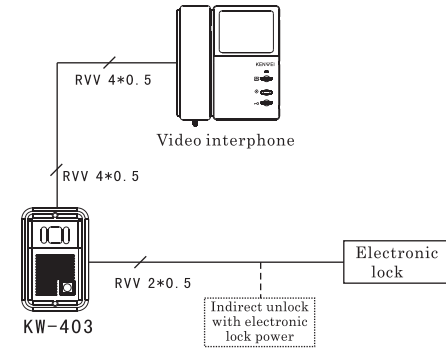
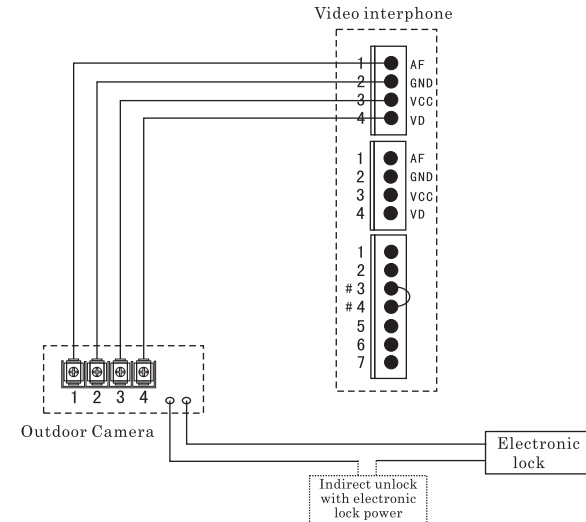


Diagram for the system working :



Notice

When it is necessary to connect the image memory, you should remove the 2 Pin connector (NO. 3&NO. 4) which is for the image memory in the indoor monitor.

The user's manual of the image memory will add on.

Option 2: two camera / single monitor /single image memory

Sketch map :

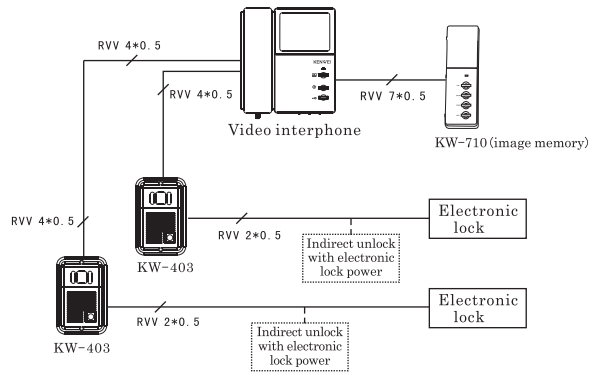
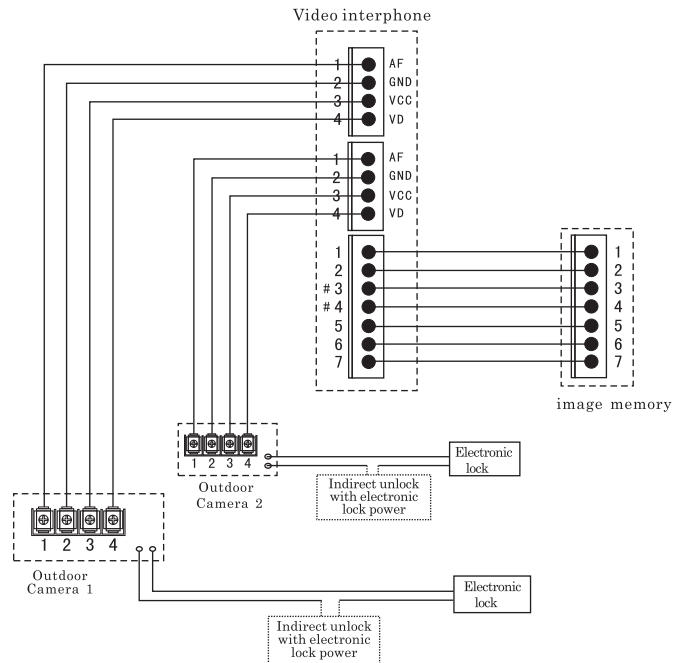


Diagram for the system working :



Note: When connecting two outdoor stations, press “monitor” key one time to monitor the one door's scene, two times the other door's.

TROUBLE SHOOTING GUIDE

Carefully read and perform the following procedures before returning your Video Door Phone for repairs or replacement.

No.	Problem	Possible Cause
1	Unit totally dead. (Power lamp OFF)	<ul style="list-style-type: none"> The power cord is not properly inserted in the AC outlet, or the AC is not supplied. The power ON/OFF switch is in the OFF position. The wires between the monitor and the camera are shorted.
2	Can call and communicate, however, monitor screen illuminates with no picture.	<ul style="list-style-type: none"> Brightness control is not adjusted. The video line is short circuit. Whether the 2 Pin connector have inserted well.
3	Can call, however, can not communicate.	<ul style="list-style-type: none"> The audio line (Red line) is short circuit.

SPECIFICATION

Item	Model	KW-4HPM <input type="checkbox"/>	KW-4HPTN <input type="checkbox"/>	KW-4HPMC <input type="checkbox"/>	KW-4HPTNC <input type="checkbox"/>
Screen Illumination		4" B&W CRT		4" Color TFT	
Operation current		DC 650mA		DC 400mA	
Input voltage		AC110~240V			
Installation System		4 wires (Polarity)			
Call Tone		Chord	Xylophone sound twice	Chord	Xylophone sound twice
Communication Ways		With handset communication			
Max connecting length		50m / 165 feet (22AWG, 0.65mm 4wires)			
Operation temperature		-10°C to +55 °C			
Weight		1. 2KGS			
Outdoor Camera		You can choose our outdoor camera unit			

External design, features, functions and specifications can be changed without any prior, for promoting the quality of the product.